

REDline Power Box Mini

Standard version



REDline Power Box Mini

Compact size, high protection class: The **REDline Power Box Mini** ideally complements power distribution systems in vehicles, and can be installed almost anywhere in the vehicle.

It is equipped with:

- A 68 x 90 mm PCB
- A 21-pin LeavySeal connector (available in four coding versions)

Standard version of the product is presented on the first three pages of this document. Customisation of the box content can be realised according to your requirements. Refer to page 4 and contact us for more information.

The advantages of our REDline Power Boxes summarised:

- **Robust & durable:** Thanks to high IP levels and cable harness reduction
- **Fast project processing:** Due to a broad range of standardised housings and a structured and established product development process
- **High economic efficiency:** Resulting from simplified installation and maintenance as well as low tooling and engineering costs
- **Convincing service concept:** We support you from the first idea up to serial production of your tailor-made solution and beyond
- **Compact & modular architecture:** Thanks to the modular building block system, the customer-specific configurable PCB and the efficient use of space

MECHANICAL DATA

Box dimensions	136 x 90 x 98 mm
PCB dimensions	68 x 90 mm
Operating temperature	-40 °C up to +110 °C
IP protection class	IP66 / IP69K (dust proof / protected against powerful water jets under pressure)
Specifics	Integrated compression limiter Wall mounting Possibility to "dock" modules together

ELECTRICAL DATA

Power input	2x M6 Powerelement
Connectors	LeavySeal 21-pin
Mating connector	21-pin: TE 1-2208686-1 or TE 2-1534127-1 or TE 3-1534127-1 or TE 4-1534127-1
Components	4 x Mini fuse 2 x ATO fuse 3 x Micro relay 2 x Mini relay

This item is a standard product, please consider the relevant datasheet notes.
The user is responsible for the product's functionality in its purposed system environment.

REDline Power Box Mini Standard version



QUALIFICATION		
Test methods	Qualification norm	Descriptions
IP protection class	ISO 20653: 2013-02	IP66 / IP69K
Low & high temperature	ISO 16750-4: 2010-04	Temperature: -40 °C / +85 °C
Temperature cycle	ISO 16750-4: 2010-04	Number of cycles: 30 Cycle duration: 8 h Temperature: +40 °C / +85 °C
Temperature shock	ISO 16750-4: 2010-04	Number of cycles: 100 Cycle duration: 24 h Temperature: +25 °C / +55 °C RH: 90 – 96 %
Humidity heat, cyclic	ISO 16750-4: 2010-04	Number of cycles: 6 Cycle duration: 1 h Change time: ≤ 30 s Temperature: +85 °C / -40 °C
Vibration random with temperature	ISO 16750-3: 2012-12	Frequency: 10 – 2.000 Hz Rms acceleration: 57.9 m/s ² Temperature: -40 °C up to +85 °C Duration: 32 h
Mechanical shock	ISO 16750-3: 2012-12	Acceleration: 500 m/s ² Number of shocks: 10 Temperature: room temperature Duration: 6 ms
Free fall	ISO 16750-3: 2012-12	Number of DTU: 3 Falls per DUT: 2 Drop height: 1 m

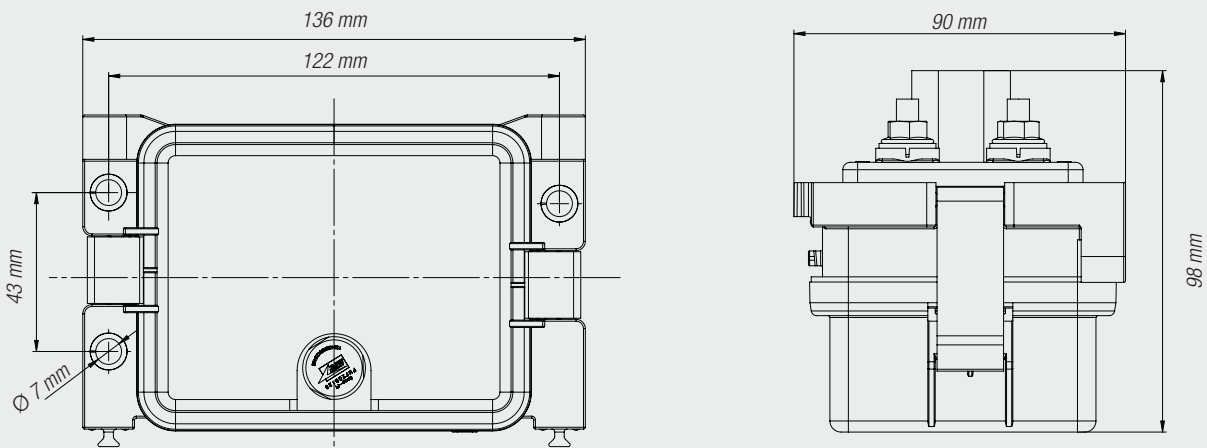
TORQUE FIXING POINT	
Compatibility	Up to ISO class 10.9 screws

TORQUE ELECTRIC CONNECTION	
M5	2.2 Nm
M6	3.9 Nm (2 x on Mini)

ORDER INFORMATION	
REDline Power Box Mini Standard	
Unequipped (without fuses and relays)	ICS-103039
Equipped with 12 V fuses and relays	ICS-103039-12V
Equipped with 24 V fuses and relays	ICS-103039-24V



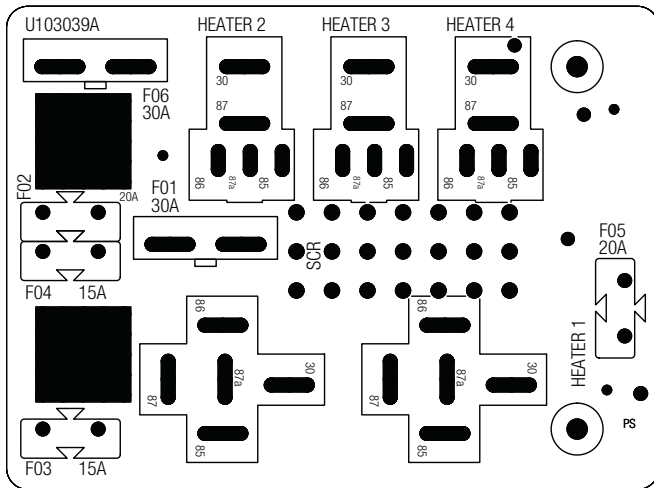
Box dimensions



REDline Power Box Mini Standard version



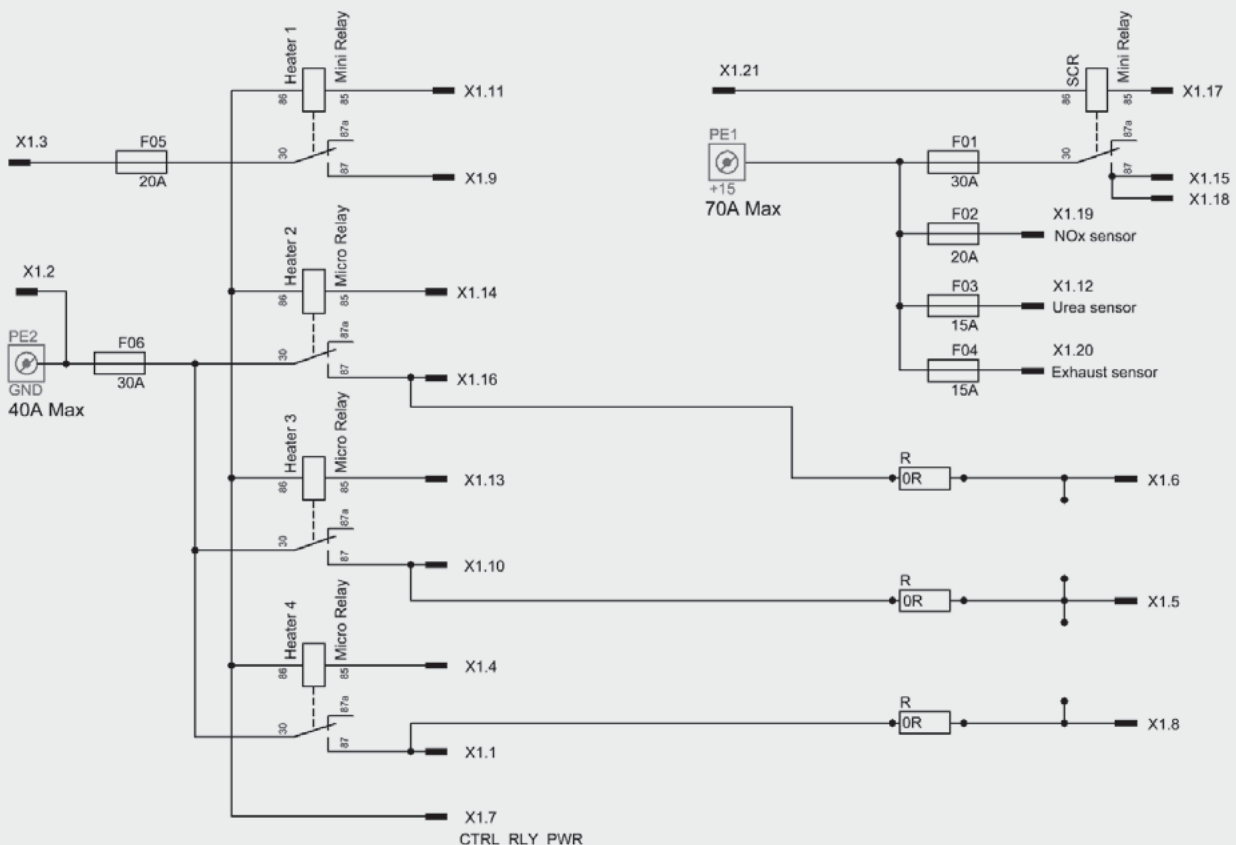
PCB silkscreen



Pin assignment

X1 CONNECTOR		X1 CONNECTOR	
Pin	Description	Pin	Description
1	87 - HEATER4 RELAY	17	85 - SCR RELAY
2	GND	18	87 - SCR RELAY
3	F05_IN	19	20A - NOx Sensor
4	CTRL_LS HEATER 4 RELAY	20	15A - Exhaust sensor
5	HEATER 3 RELAY - Matrix Output	21	86 - SCR RELAY
6	HEATER 2 RELAY - Matrix Output		
7	CTRL_RLY_PWR	PE	
8	HEATER 4 RELAY - Matrix Output	Pin	Description
9	87 - HEATER 1 RELAY	PE1	+15
10	87 - HEATER 3 RELAY	PE2	GND
11	CTRL_LS HEATER 1 RELAY		
12	15A - Urea sensor		
13	CTRL_LS HEATER 3 RELAY		
14	CTRL_LS HEATER 2 RELAY		
15	87 - SCR RELAY		
16	87 - HEATER 2 RELAY		

Electrical schematic





REDline Power Boxes

Customisation possibilities

Do you want to customise the REDline Power Box Mini content according to your needs?

With the following three steps, we help you to get your tailor-made solution.

1 Choose desired inputs and outputs according to your electrical schematics

INPUTS / OUTPUTS

M5 or Radlok 3.6 up to 70 A
M6 or Radlok 5.7 up to 120 A
M8 or Radlok 8 up to 200 A
M8 Powerelement
No element
Light guide

COMPATIBLE CONNECTORS

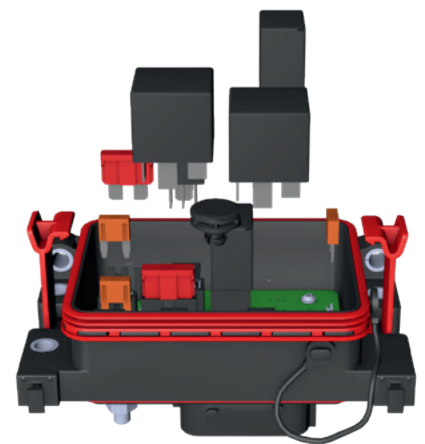
21-pin code A	TE 1-2208686-1
21-pin code B	TE 2-1534127-1
21-pin code C	TE 3-1534127-1
21-pin code D	TE 4-1534127-1

2 Select the components to be integrated and get the PCB designed according to your electrical schematics

3 Choose your additional component options

COMPONENT OPTIONS

Cover leash
Fuse tester
Fuse puller
Customer logo on lid
Components sticker
Colored boxes
Optional pass-through seal for firewall installation



Profit from different standard box variants and component options for advanced functions and requirements.

BOX VARIANTS

Description	Part number WE ICS		
	Unequipped (without fuses and relays)	Equipped with 12 V fuses and relays	Equipped with 24 V fuses and relays
REDline Twin Standard	ICS-103040	ICS-103040-12V	ICS-103040-24V
REDline Hybrid Standard	ICS-103037	ICS-103037-12V	ICS-103037-24V
REDline M Plus Standard	ICS-103263	ICS-103263-12V	ICS-103263-24V
REDline Medium Standard	ICS-103038	ICS-103038-12V	ICS-103038-24V
REDline Mini Standard	ICS-103039	ICS-103039-12V	ICS-103039-24V



Twin



Hybrid



M Plus



Medium



Mini

Are you looking for a box with special requirements?

No problem, just contact us!
We develop your customer-specific product according to the motto: more than you expect.
From the idea through to the start of serial production.

For more information visit us at www.we-online.com/ics or call +49 7940 9810-0

Würth Elektronik ICS GmbH & Co. KG

Intelligent Power & Control Systems

Gewerbepark Waldzimmern
Würthstraße 1
74676 Niedernhall · Germany
Phone: +49 7940 9810-0
Fax: +49 7940 9810-1099
ics@we-online.com
www.we-online.com/ics